

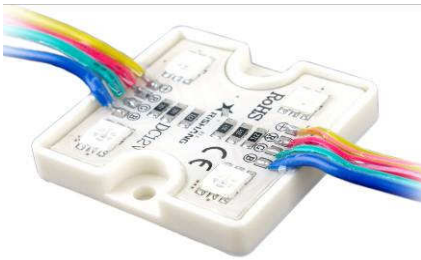
# TECHNICAL SPECIFICATIONS Model : ALEDR-178 RGB

## Product Feature:

- 1.5050 SMD LED as light source,super luminous flux,large viewing angle,even lighting,low attenuation.
- 2.Best cost performance,high color consisence.
- 3.Energy saving,environment-friendly,long life span50,000hrs.
- 4.Suitable for channel letters and light boxes backlighting etc.

## Series Number:

MAA178Q Full color



## Specification

LED Type 5050 SMD LED  
 Available Color Full color  
 Angle( $2\theta_{1/2}$ )  $\geq 140^\circ$   
 Luminous Flux (lm)

Red light	Green light	Blue light
4	12.8	3.2

Wavelength Scope (nm/K)

Red light	Green light	Blue light
619~635	512~528	463~475

LED Qty 4pcs  
 Life Span 50,000 H

## Electrical Parameter

Working Voltage DC12V  
 Power Maximum power consumption 1.44W  
 Driving Method constant voltage

## Wires & Series Connection Length

Wires UL1007 20#line Yellow&Red&Green&Blue wires, length100mm

Stand Length In Serial Connection 20pcs  
 Maximum Length In Serial Connection  $\leq 20$ pcs

## Outer Parameter

Shell ABS  
 Dimension 36\*36\*6mm  
 Color milk yellow

## Fixed mode

Screw  $\phi 2.6$ --- $\phi 3.0$   
 Double-sided adhesive 30mm,double-sided adhesive

## Environment Parameter

Working Temperature  $-40^\circ\text{C}$  —  $+50^\circ\text{C}$   
 Store Temperature  $-50^\circ\text{C}$  —  $+60^\circ\text{C}$   
 IP Degree IP65

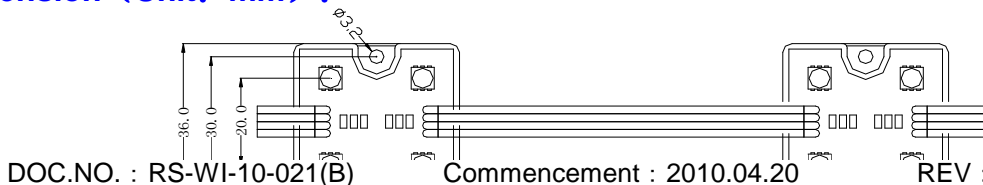


RoHS

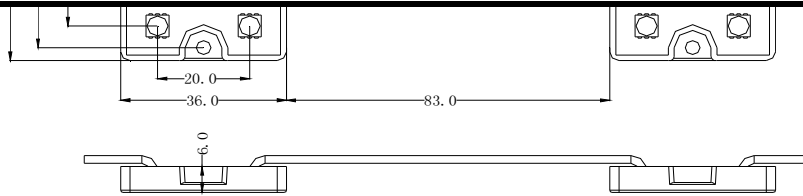


APPROVED BY		CHECKED BY		PREPARED BY	
DATE		DATE		DATE	

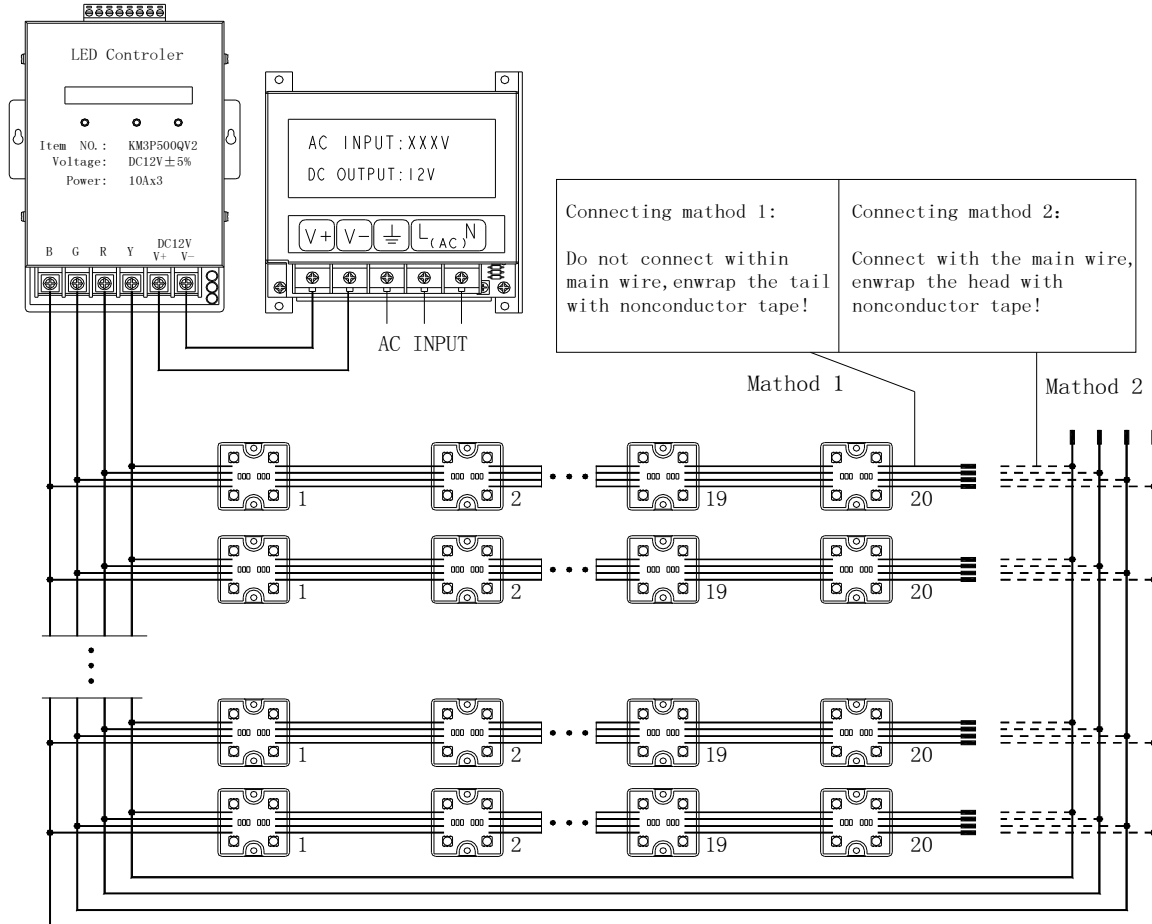
## Dimension (Unit: mm) :



# TECHNICAL SPECIFICATIONS Model : ALEDR-178 RGB



## Connection Diagram (Unit: mm) :



## Notes:

- 1.The thickness of the wires shall be adopted based on the possible current,products power, length of the wire extention(5meter at maximum as recommended) and the loss in the wires transit at low voltage.
- 2.The both ends of extention shall be dealt with as waterproof ;
- 3.Don't work under the situations of touching in static-electronics environments or light on
- 4.The modules can be connected to 20 pcs at maximum and no exceed;
- 5.Suggest choosing high-qualified switch power( have shortelectronics ,overvoltage and overloading protection function etc)。