

TECHNICAL SPECIFICATIONS

Model : ALEDR-120RGB

AUSLED PTY LTD web : www.ausled.com.au / email : sales@ausled.com.au

Product Features :

PH: (03) 9458 3357, Fx: (03) 9455-3144

1. 5050 SMD LED as light source, super luminous flux, large viewing angle, even lighting, low attenuation.
2. Best cost performance, high color consistency.
3. Energy saving, environment-friendly, long life span 50,000hrs.
4. Suitable for channel letters, light boxes and backlighting etc.



LED Signage & Innovative Solutions

Part Number:

MAA120Q Full color

Specification

LED Type
Available Color
Angle(2θ_{1/2})
Luminous Flux (lm)

5050 SMD LED
Full color
≥140°



Red light	Green light	Blue light
3	9.6	2.4

Wavelength Scope (nm/K)

Red light	Green light	Blue light
619 ~ 635	512 ~ 528	463 ~ 475

LED Qty
Life Span

3pcs
50,000 H

Electrical Parameter

Working Voltage
Power
Driving Method

DC12V
Maximum power consumption 0.72W
constant voltage

Warranty : 3 years

Wires & Series Connection Length

Wires UL1007 20#line Yellow&Red&Green&Blue wires , length100mm

Stand Length In Serial Connection 20pcs
Maximum Length In Serial Connection ≤20pcs

Outer Parameter

Shell ABS
Dimensions L x W x H = 77.2 x 18 x 4.8mm
Color milk yellow

Fixed mode

Screw φ 2.6--- φ 3.0
Double-sided adhesive 64mm,double-sided adhesive

Environment Parameter

Working Temperature -40°C — +50°C
Store Temperature -50°C — +60°C
IP Rating IP65

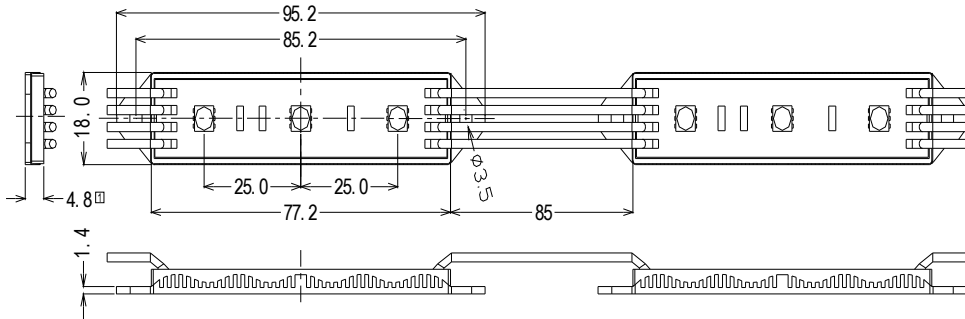


RoHS

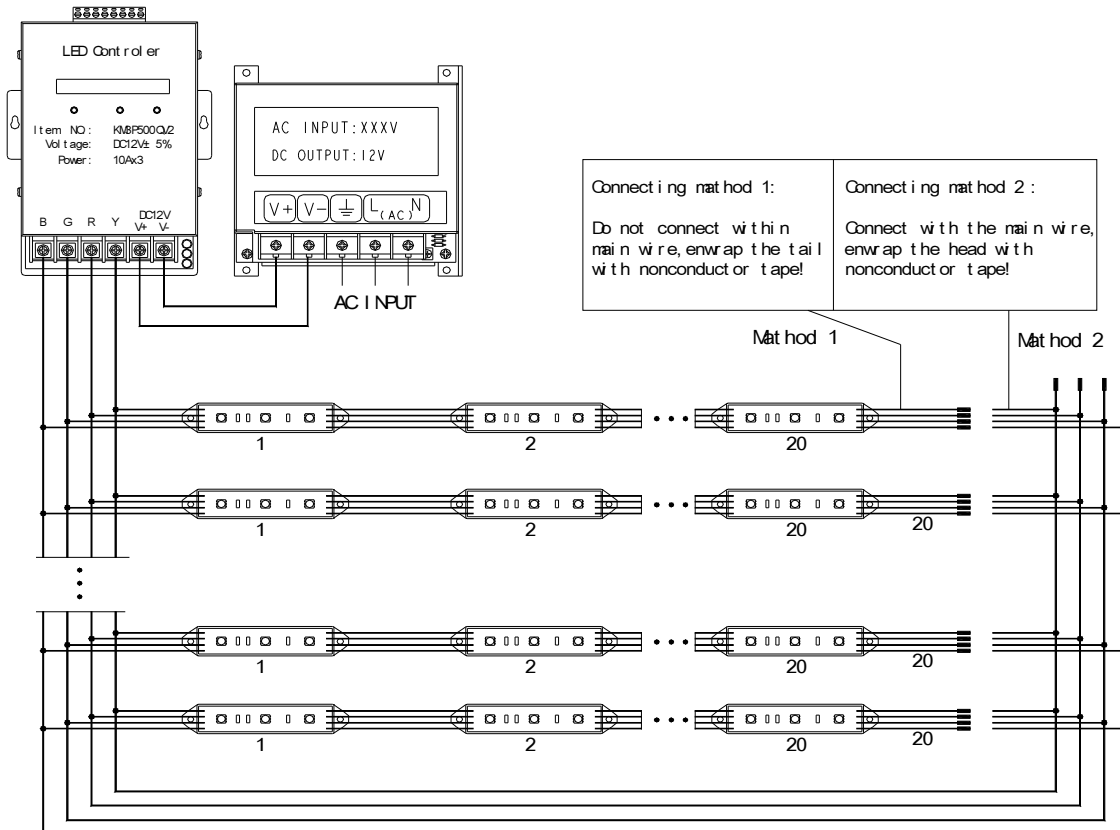


APPROVED BY				PREPARED BY	
DATE				DATE	

Dimension (Unit : mm) :



Connection Diagram (Unit : mm) :



Notes :

1. . The thickness of the wires shall be adopted based on the possible current, products power, length of the wire extension (10 metre maximum @ 2.5mm sq wire recommended) to ensure minimum voltage drop.
2. The both ends of each series of LED modules needs to be correctly terminated to ensure waterproofing.
3. Do not work under any anti static-electronic environments or when live power is connected.
- 4. The maximum allowable no of modules per circuit is 20 = (1 x string) under no circumstances this is to be exceeded, if more modules are required, run another circuit in parrell from the power supply.**
5. We recommend using only a high-quality power supplies which has Australian C tick approval (ie: short circuit, overvoltage and overloading protection function etc).